



Quality Assurance Keep Improving



TECHNOMET ENTERPRISES



Mail:

mahesh.bhattad@technometent.co.in
tme_pne@technometent.co.in
salestechnomet123@gmail.com



Contact No.:

+91-98500 87426
+91-98500 83743
+91-72760 91255

Address: 103, Varad Vinayak Complex, Sr.no. 26/1, Narhe, PUNE, 411041

www.technometent.co.in

LMF...UU

LMK...UU



LMF



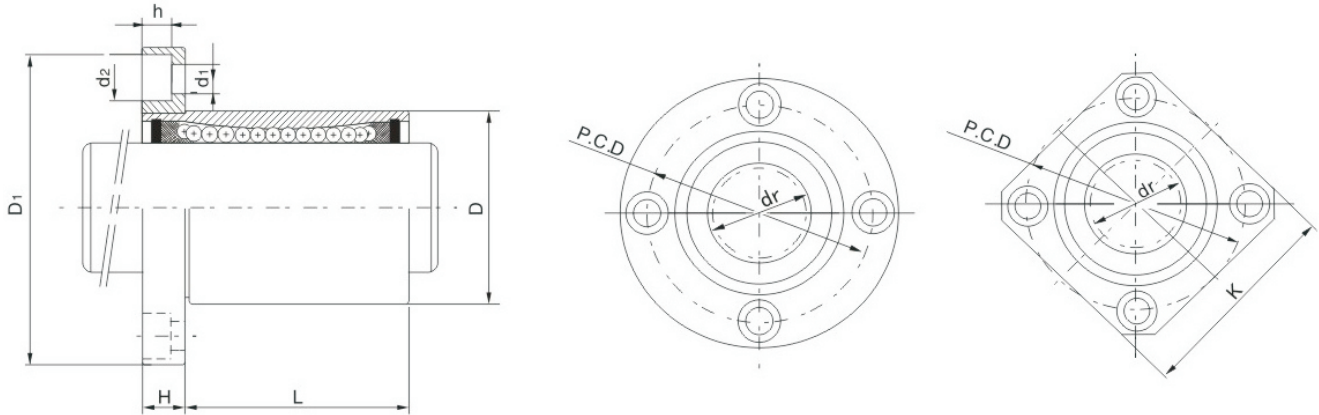
LMK

SI UNIT: 1N=0.102kgf Unit: mm

Model No.			Inner Diameter		Outer Diameter		Length		Flange Diameter	
LMF...UU	Ball circuit	Weight (g)	dr	Tolerance	D	Tolerance	L	Tolerance	Di	Tolerance
LMF6UU	4	26.5	6	0-0.009	12	0-0.011	19	0-0.2	28	0-0.2
LMF8SUU	4	34	8		15		17		32	
LMF8UU	4	40	8		15		24		32	
LMF10UU	4	78	10		19	0-0.013	29		40	
LMF12UU	4	76	12		21		30		42	
LMF13UU	4	94	13		23		32		43	
LMF16UU	5	134	16	28	37	48				
LMF20UU	5	180	20	0-0.010	32	0-0.016	42	54		
LMF25UU	6	340	25		40		59	62		
LMF30UU	6	460	30		45		64	74		
LMF35UU	6	795	35	0-0.012	52	0-0.019	70	82		
LMF40UU	6	1054	40		60		80	96		
LMF50UU	6	2200	50		80		100	116	0-0.3	
LMF60UU	6	2960	60	0-0.015	90	0-0.022	110	134		

Notic: The flanged linear bearings of our company adopt threaded connection. The thread standard is implemented according to GB964-67. In addition to the standard type, this structure can also be assembled according to different requirements, which is convenient and easy to implement, and make the flange and the bearing are interchangeable.

Model No.			Inner Diameter		Outer Diameter		Length		Flange Diameter	
LMK...UU	Ball circuit	Weight (g)	dr	Tolerance	D	Tolerance	L	Tolerance	D ₁	Tolerance
LMK6UU	4	18.5	6	0-0.009	12	0-0.011	19	0-0.2	28	0-0.2
LMK8SUU	4	23	8		15		17		32	
LMK8UU	4	29	8		15		24		32	
LMK10UU	4	61	10		19	0-0.013	29		40	
LMK12UU	4	56	12		21		30		42	
LMK13UU	4	75	13		23		32		43	
LMK16UU	5	104	16	28	37	48				
LMK20UU	5	145	20	32	42	54				
LMK25UU	6	300	25	0-0.010	40	0-0.016	59	62		
LMK30UU	6	375	30		45		64	74		
LMK35UU	6	692	35		52		70	82		
LMK40UU	6	864	40	0-0.012	60	0-0.019	80	96		
LMK50UU	6	2020	50		80		100	116	0-0.3	
LMK60UU	6	2520	60		0-0.015		90	0-0.022		110



SI UNIT: 1N=0.102kgf Unit:mm

H	P.C.D	Hole for Attachment d ₁ Xd ₂ Xh	Angular Radial Tolerance of Flange (μm)	Eccentricity (max) μm	Radial Clearance Tolerance	Basic Load Rating		Model No.
						Dynamic CN	Static CoN	
5	20	3.4X6.5X3.3	12	12	-5	21	27	LMF6UU
5	24	3.4X6.5X3.3	12	12	-5	18	23	LMF8SUU
5	24	3.4X6.5X3.3	12	12	-5	27	41	LMF8UU
6	29	4.5X8X4.4	12	12	-5	38	56	LMF10UU
6	32	4.5X8X4.4	12	12	-5	42	61	LMF12UU
6	33	4.5X8X4.4	12	12	-7	52	79	LMF13UU
6	38	4.5X8X4.4	12	12	-7	79	120	LMF16UU
8	43	5.5X9.5X5.4	15	15	-9	88	140	LMF20UU
8	51	5.5X9.5X5.4	15	15	-9	100	160	LMF25UU
10	60	6.6X11X6.5	15	15	-9	160	280	LMF30UU
10	67	6.6X11X6.5	20	20	-13	170	320	LMF35UU
13	78	9X14X8.6	20	20	-13	220	410	LMF40UU
13	98	9X14X8.6	20	20	-13	390	810	LMF50UU
18	112	11X17.5X10.8	25	25	-13	480	1020	LMF60UU

K	H	P.C.D	Hole for Attachment d ₁ Xd ₂ Xh	Angular Radial Tolerance of Flange (μm)	Eccentricity (max) μm	Radial Clearance Tolerance	Basic Load Rating		Model No.
							Dynamic CN	Static CoN	
22	5	20	3.4X6.5X3.3	12	12	-5	21	27	LMK6UU
25	5	24	3.4X6.5X3.3	12	12	-5	18	23	LMK8SUU
25	5	24	3.4X6.5X3.3	12	12	-5	27	41	LMK8UU
30	6	29	4.5X8X4.4	12	12	-5	38	56	LMK10UU
32	6	32	4.5X8X4.4	12	12	-5	42	61	LMK12UU
34	6	33	4.5X8X4.4	12	12	-7	52	79	LMK13UU
37	6	38	4.5X8X4.4	12	12	-7	79	120	LMK16UU
42	8	43	5.5X9.5X5.4	15	15	-9	88	140	LMK20UU
50	8	51	5.5X9.5X5.4	15	15	-9	100	160	LMK25UU
58	10	60	6.6X11X6.5	15	15	-9	160	280	LMK30UU
64	10	67	6.6X11X6.5	20	20	-13	170	320	LMK35UU
75	13	78	9X14X8.6	20	20	-13	220	410	LMK40UU
92	13	98	9X14X8.6	20	20	-13	390	810	LMK50UU
106	18	112	11X17.5X10.8	25	25	-13	480	1020	LMK60UU

LMEF...UU/LMEK...UU

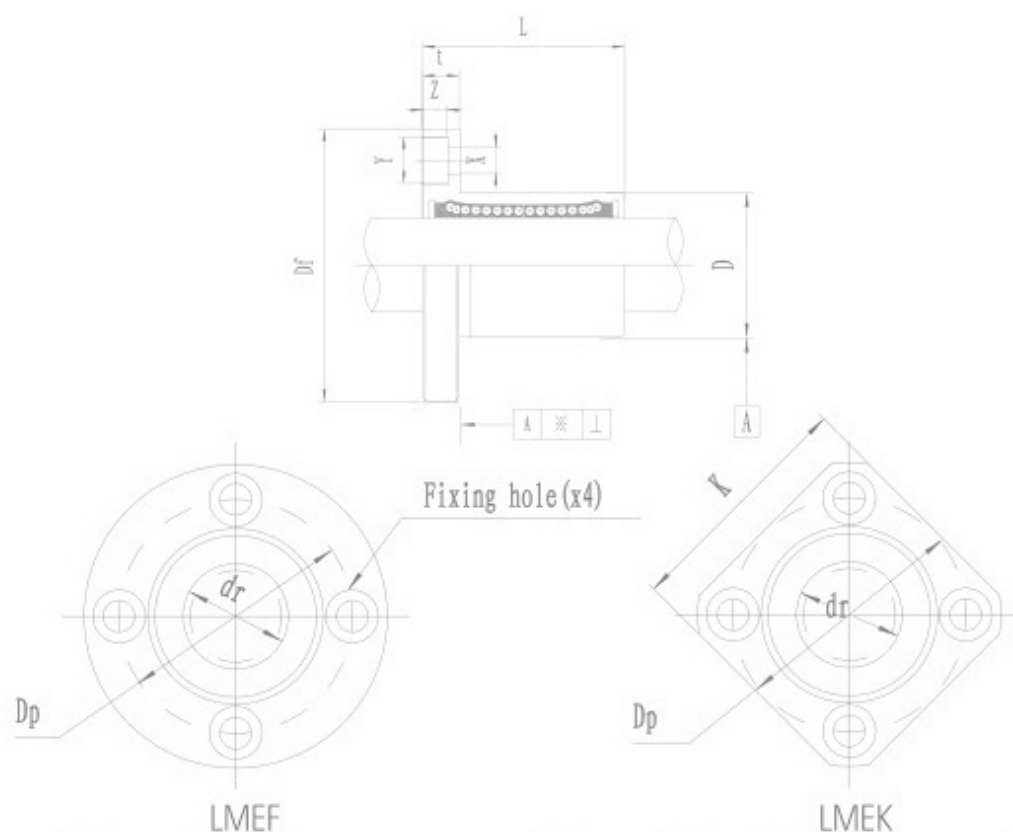


LMEF



LMEK

Nominal Shaft Diameter (mm)	Model No.		Weight (g)	Major Dimensions and Tolerance						
	Bearing Steel Type	Stainless Steel Type		dr		D		D _f	L	
	LMEF (K) ... UU	LMESF (K) ... UU		mm	Tolerance (μm)	mm	Tolerance (μm)	mm	mm	Tolerance (μm)
8	LMEF8-UU	LMESF8-UU	41	8	+80	16	0-13	32	25	±300
	LMEK8-UU	LMESK8-UU	33							
12	LMEF12-UU	LMESF12-UU	80	12	+80	22	0-16	42	32	±300
	LMEK12-UU	LMESK12-UU	64							
16	LMEF16-UU	LMESF16-UU	103	16	+9-1	26	0-16	45	36	±300
	LMEK16-UU	LMESK16-UU	90							
20	LMEF20-UU	LMESF20-UU	182	20	+9-1	32	0-19	54	45	±300
	LMEK20-UU	LMESK20-UU	147							
25	LMEF25-UU	LMESF25-UU	335	25	+11-1	4D	0-19	62	58	±300
	LMEK25-UU	LMESK25-UU	295							
30	LMEF30-UU	LMESF30-UU	560	30	+11-1	47	0-19	76	68	±300
	LMFK30-UU	LMESK30-UU	465							
40	LMEF40-UU	LMESF40-UU	1175	40	+13-2	62	0-22	98	80	±300
	LMEK40-UU	LMESK40-UU	975							
50	LMEF50-UU	LMESF50-UU	1745	50	+13-2	75	0-22	112	100	±300
	LMEK50-UU	LMESK50-UU	1545							
60	LMEF60-UU	LMESF60-UU	3220	60	+13-2	90	0-25	134	125	±300
	LMEK60-UU	LMESK60-UU	2780							
80	LMEF80-UU	-	6420	80	+16-4	120	0-25	164	165	±300
	LMEK80-UU	-	5920							



Model No.		Major Dimensions and Tolerance						Eccentricity (μm)	Squareness (μm)	Basic Load Rating		Nominal Shaft Diameter (mm)
Bearing Steel Type	Stainless Steel Type	Flange								Dynamic (CN)	Static (CoN)	
LMEF (K) ... UU	LMESF (K) ... UU	K mm	t mm	Dp mm	X mm	Y mm	Z mm					
LMEF8-UU LMEK8-UU	LMESF8-UU LMESK8-UU	25	5	24	3.5	6	3.1	12	12	265	402	8
LMEF12-UU LMEK12-UU	LMESF12-UU LMESK12-UU	32	6	32	4.5	7.5	4.1	12	12	510	784	12
LMEF16-UU LMEK16-UU	LMESF16-UU LMESK16-UU	35	6	36	4.5	7.5	4.1	12	12	578	892	16
LMEF20-UU LMEK20-UU	LMESF20-UU LMESK20-UU	42	8	43	5.5	9	5.1	12	12	862	1370	20
LMEF25-UU LMEK25-UU	LMESF25-UU LMESK25-UU	50	8	51	5.5	9	5.1	15	15	980	1570	25
LMEF30-UU LMEK30-UU	LMESF30-UU LMESK30-UU	60	10	62	6.6	11	6.1	15	15	1570	2740	30
LMEF40-UU LMEK40-UU	LMESF40-UU LMESK40-UU	75	13	80	9	14	8.1	15	15	2160	4020	40
LMEF50-UU LMEK50-UU	LMESF50-UU LMESK50-UU	88	13	94	9	14	8.1	17	17	3820	7940	50
LMEF60-UU LMEK60-UU	LMESF60-UU LMESK60-UU	106	18	112	11	17	11.1	17	17	4700	9800	60
LMEF80-UU LMEK80-UU	-	136	18	142	11	17	11.1	20	20	7350	16000	80