



Quality Assurance Keep Improving



TECHNOMET ENTERPRISES



Mail:

mahesh.bhattad@technometent.co.in
tme_pne@technometent.co.in
salestechnomet123@gmail.com



Contact No.:

+91-98500 87426
+91-98500 83743
+91-72760 91255

Address: 103, Varad Vinayak Complex, Sr.no. 26/1, Narhe, PUNE, 411041

www.technometent.co.in

LM..UU/AJ/OP



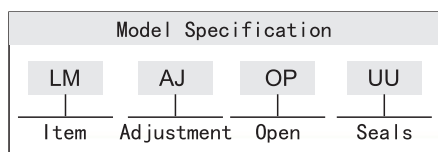
LM-UU
Standard type



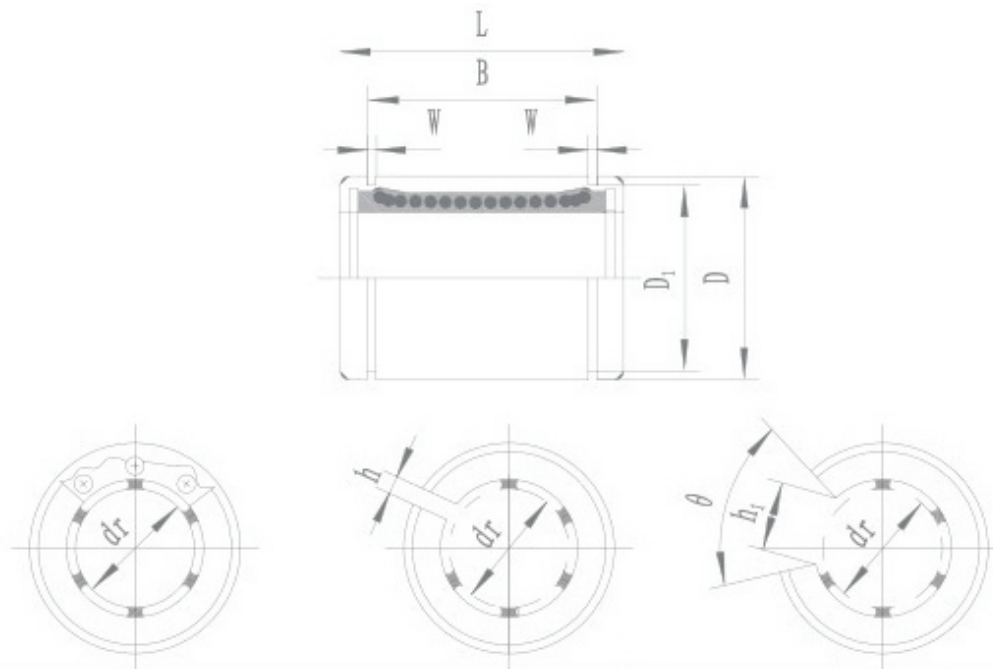
LM-AJ-UU
Adjustable type



LM-OP-UU
Open type



Shaft Diameter (mm)	Model No.										Tolerance (μm)	
	Standard Type LM	Ball Circuit	Weight (g)	Adjustment Type LM-AJ	Ball Circuit	Weight (g)	Open Type LM-OP	Ball Circuit	Weight (g)	Shaft Dia. (mm)	Precision	High
	3	LM3-UU	4	1.35	-						3	0-5
4	LM4-UU	4	1.9	-			-			4	0-5	0-8
5	LM5-UU	4	4	-						5	0-5	0-8
6	LM6-UU	4	7.6	-			-			6	0-6	0-9
8	LM8S-UU	4	10.4	-			-			8	0-6	0-9
8	LM8-UU	4	15	-			-			8	0-6	0-9
10	LM10-UU	4	29.5	LM10-AJ-UU	4	29	LM10-OP-UU	3	23	10	0-6	0-9
12	LM12-UU	4	31.5	LM12-AJ-UU	4	31	LM12-OP-UU	3	25	12	0-6	0-9
13	LM13-UU	4	43	LM13-AJ-UU	4	42	LM13-OP-UU	3	34	13	0-6	0-9
16	LM16-UU	4	69	LM16-AJ-UU	4	68	LM16-OP-UU	3	52	16	0-6	0-9
20	LM20-UU	5	87	LM20-AJ-UU	5	85	LM20-OP-UU	4	69	20	0-7	0-10
25	LM25-UU	6	220	LM25-AJ-UU	6	216	LM25-OP-UU	5	188	25	0-7	0-10
30	LM30-UU	6	250	LM30-AJ-UU	6	245	LM30-OP-UU	5	210	30	0-7	0-10
35	LM35-UU	6	390	LM35-AJ-UU	6	384	LM35-OP-UU	5	335	35	0-8	0-12
40	LM40-UU	6	585	LM40-AJ-UU	6	579	LM40-OP-UU	5	500	40	0-8	0-12
50	LM50-UU	6	1580	LM50-AJ-UU	6	1560	LM50-OP-UU	5	1344	50	0-8	0-12
60	LM60-UU	6	1860	LM60-AJ-UU	6	1820	LM60-OP-UU	5	1610	60	0-9	0-15
80	LM80-UU	6	4420	LM80-AJ-UU	6	4300	LM80-OP-UU	5	3650	80	0-9	0-15
100	LM100-UU	6	8600	LM100-AJ-UU	6	8540	LM100-OP-UU	5	7200	100	0-10	0-20
120	LM120-UU	8	15000	LM120-AJ-UU	8	14900	LM120-OP-UU	6	11600	120	0-10	0-20
150	LM150-UU	8	20250	LM150-AJ-UU	8	20150	LM150-OP-UU	6	15700	150	0-13	0-25



Major Dimensions and Tolerance											Eccentricity		Radial Clearance (Max) μm	Basic Load Rating		Nominal Shaft Diameter (mm)
D		L		B		W	D ₁	h	h ₁	θ	Precision (μm)	High (μm)		Dynamic CN	Static CoN	
mm	Tolerance (μm)	mm	Tolerance (μm)	mm	Tolerance (μm)	mm	mm	mm	mm							
7	0-9	10	0-120	-	-	-	-	-	-	-	4	0	-3	69	105	3
8	0-9	12	0-120	-	-	-	-	-	-	-	4	a	-3	88	127	4
10	0-9	15	0-120	10.2	0-200	1.1	9.6	-	-	-	8	0	-3	167	206	5
12	0-11	19	0-200	13.5	0-200	1.1	11.5	-	-	-	8	12	-3	206	265	6
15	0-11	17	0-200	11.5	0-200	1.1	14.3	-	-	-	8	4	-3	176	216	8
15	0-11	24	0-200	17.5	0-200	1.1	14.3	-	-	-	8	12	-3	274	392	8
19	0-13	29	0-200	22	0-200	1.3	18	1	6.8	80°	8	12	-4	372	549	10
21	0-13	30	0-200	23	0-200	1.3	20	1.5	8	80°	8	12	-4	510	784	12
23	0-13	32	0-200	23	0-200	1.3	22	1.5	9	80°	8	12	-4	510	784	13
28	0-13	37	0-200	26.5	0-200	1.6	27	1.5	11	80°	8	12	-6	774	1180	16
32	0-16	42	0-200	30.5	0-200	1.6	30.5	1.5	11	60°	10	15	-6	882	1370	20
40	0-16	59	0-300	41	0-300	1.85	38	2	12	50°	10	15	-6	980	1570	25
45	0-16	64	0-300	44.5	0-300	1.85	43	2.5	15	50°	10	15	-8	1570	2740	30
52	0-19	70	0-300	49.5	0-300	2.1	49	2.5	17	50°	12	20	-8	1670	3140	35
60	0-19	80	0-300	60.5	0-300	2.1	57	3	20	50°	12	20	-8	2160	4020	40
80	0-19	100	0-300	74	0-300	2.6	76.5	3	25	50°	12	20	-13	3820	7940	50
90	0-22	110	0-300	85	0-900	3.15	86.5	3	30	50°	17	25	-13	4700	10000	60
120	0-22	140	0-400	105.5	0-400	4.15	116	3	40	50°	17	25	-20	7350	16000	80
150	0-25	175	0-400	125.5	0-400	4.15	145	3	50	50°	20	30	-20	14100	34800	100
180	0-25	200	0-400	158.5	0-400	4.15	175	3	85	80°	20	30	-25	16400	40000	120
210	0-29	240	0-400	170.6	0-400	5.15	204	3	105	80°	25	40	-25	21100	54300	150

LME...UU/AJ/OP



LME-UU
Standard type



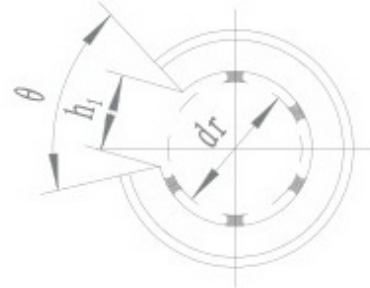
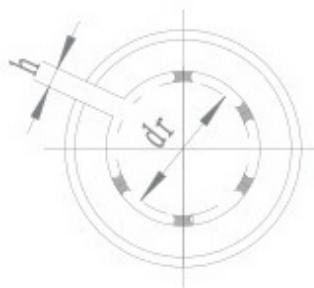
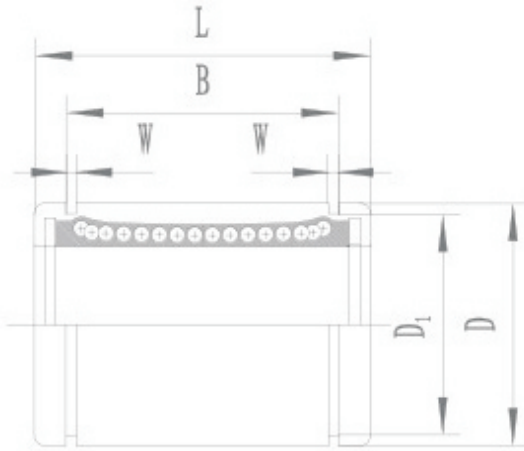
LME-AJ-UU
Adjustable type



LME-OP-UU
Open type

Model Specification			
LME	AJ	OP	UU
Item	Adjustment	Open	Seals

Nominal Shaft Diameter (mm)	Model No.									dr		
	European Standard Type LME	Ball Circuit	Weight (g)	European Standard Adjustment Type LME-AJ	Ball Circuit	Weight (g)	LME-OP European Standard open Type	Ball Circuit	Weight (g)	mm	Tolerance (μm)	
											Precision	High
5	LME5-UU	4	11	-	-	-	-	-	-	5	-	+8-0
8	LME8-UU	4	20	-	-	-	-	-	-	8	-	+8-0
10	LME10-UU	4	29.5	LME10-AJ-UU	4	29	LME10-OP-UU	3	23	10	-	+8-0
12	LME12-UU	4	41	LME12-AJ-UU	4	40	LME12-OP-UU	3	32	12	-	+8-0
16	LME16-UU	4	57	LME16-AJ-UU	4	56	LME16-OP-UU	3	44	16	-	+9-1
20	LME20-UU	5	91	LME20-AJ-UU	5	90	LME20-OP-UU	4	75	20	-	+9-1
25	LME25-UU	6	215	LME25-AJ-UU	6	212	LME25-OP-UU	5	181	25	-	+11-1
30	LME30-UU	6	325	LME30-AJ-UU	6	320	LME30-OP-UU	5	272	30	-	+11-1
40	LME40-UU	6	705	LME40-AJ-UU	6	694	LME40-OP-UU	5	600	40	-	+13-2
50	LME50-UU	6	1130	LME50-AJ-UU	6	1110	LME50-OP-UU	5	970	50	-	+13-2
60	LME60-UU	6	2050	LME60-AJ-UU	6	2000	LME60-OP-UU	5	1580	60	-	+13-2
80	LME80-UU	6	5000	LME80-AJ-UU	6	4860	LME80-OP-UU	5	4240	80	-	+13-2



Major Dimensions and Tolerance											Eccentricity	Radial Clearance (Max) μm	Basic Load Rating		Nominal Shaft Diameter (mm)
D		L		B		W	D ₁	h	h ₁	θ			Dynamic CN	Static CoN	
mm	Tolerance (μm)	mm	Tolerance (μm)	mm	Tolerance (μm)	mm	mm	mm	mm						
12	0-8	22	0-200	14.5	0-200	1.1	11.5	-	-	-	12	-3	206	265	5
16	0-8	25	0-200	16.5	0-200	1.1	15.2	-	-	-	12	-3	265	402	8
19	0-9	29	0-200	22	0-200	1.3	18	1	6.8	80°	12	-4	372	549	10
22	0-9	32	0-200	22.9	0-200	1.3	21	1.5	7.5	78°	12	-4	510	784	12
26	0-9	36	0-200	24.9	0-200	1.3	24.9	1.5	10	78°	12	-4	578	892	16
32	0-11	45	0-200	31.5	0-200	1.6	30.3	2	10	60°	15	-6	862	1.370	20
40	0-11	58	0-300	44.1	0-300	1.85	37.5	2	12.5	60°	15	-6	980	1.570	25
47	0-11	68	0-300	52.1	0-300	1.85	44.5	2	12.5	50°	15	-8	1570	2.740	30
62	0-13	80	0-300	60.6	0-300	2.15	59	3	16.8	50°	17	-8	2160	4.020	40
75	0-13	100	0-300	77.6	0-300	2.65	72	3	21	50°	17	-13	3820	7.940	50
90	0-15	125	0-400	101.7	0-400	3.15	86.5	3	27.2	54°	20	-13	4700	9.800	60
120	0-15	165	0-400	133.7	0-400	4.15	116	3	36.3	54°	20	-20	7350	16.000	80