

Quality Assurance Keep Improving



TECHNOMET ENTERPRISES



Mail:

mahesh.bhattad@technometent.co.in
tme_pne@technometent.co.in
salestechnomet123@gmail.com



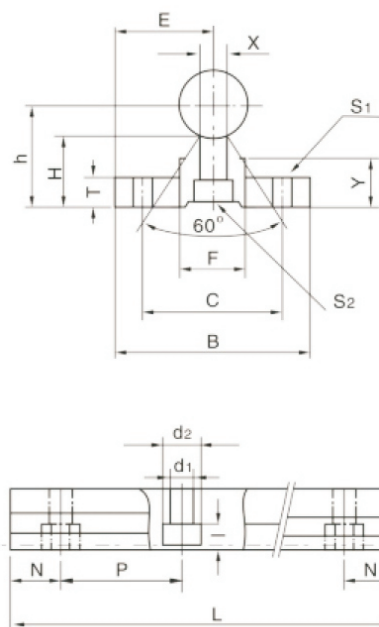
Contact No.:

+91-98500 87426
+91-98500 83743
+91-72760 91255

Address: 103, Varad Vinayak Complex, Sr.no. 26/1, Narhe, PUNE, 411041

www.technometent.co.in

Linear Motion Ball Slider SBR Series SBR



Model No.	Shaft Dia.	Dimensions (mm)											Weight (kg/m)
		E	h	B	H	T	F	X	Y	C	S1	S2 d1xd2xL	
SBR10	Φ 10	16	18	32	13	4	12.5	4.7	8.5	22	Φ 4.5	5X9X5	1.5
SBR12	Φ 12	16	19	32	13	4	12.5	4.7	8.5	22	Φ 4.5	5X9X5	1.7
SBR13	Φ 13	16	19.5	32	13	4	12.5	4.7	8.5	22	Φ 4.5	5X9X5	1.8
SBR16	Φ 16	20	25	40	17	5	18.5	8	11.7	30	Φ 5.5	5.5X9.5X5.4	2.58
SBR20	Φ 20	22.5	27	45	17	5	19	8	10	30	Φ 5.5	5.5X9.5X5.4	3.58
SBR25	Φ 25	27.5	33	55	20.5	6	21.5	8	12	35	Φ 6.6	6.6X11X6.5	5.4
SBR30	Φ 30	30	37	60	22	7	26.5	10.3	13	40	Φ 6.6	6.6X11X6.5	7.5
SBR35	Φ 35	32.5	43	65	25.5	8	28	13	15.5	45	Φ 9	9X14X8.6	10
SBR40	Φ 40	37.5	48	75	28	g	38	15.5	17	55	Φ 9	9X14X8.6	13
SBR50	Φ 50	47.5	62	95	37	11	45	20	21	70	Φ 11	11X17.5X10.8	21

Support Rail Standard Lengths and Dimensions

Model No.	SBR10	SBR12	SBR13	SBR16	SBR20	SBR25	SBR30	SBR35	SBR40	SBR50
Standard Length L (mm)	140	140	140	190	340	250	450	460	460	470
	240	240	240	340	640	450	850	660	660	670
	-	-	-	-	-	-	-	-	860	870
	340	340	340	640	940	850	1250	860	1060	1070
	440	440	440	940	1240	1250	1450	1060	1260	1270
N (mm)	20	20	20	20	20	25	25	30	30	35
P (mm)	100	100	100	150	150	200	200	200	200	200
Max length (mm)	5000	5000	5000	6000	6000	6000	6000	6000	6000	6000