



Quality Assurance Keep Improving



TECHNOMET ENTERPRISES



Mail:

mahesh.bhattad@technometent.co.in
tme_pne@technometent.co.in
salestechnomet123@gmail.com



Contact No.:

+91-98500 87426
+91-98500 83743
+91-72760 91255

Address: 103, Varad Vinayak Complex, Sr.no. 26/1, Narhe, PUNE, 411041

www.technometent.co.in

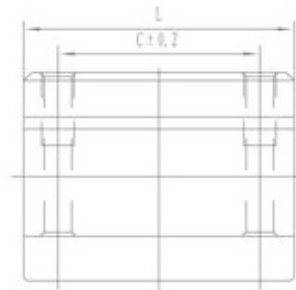
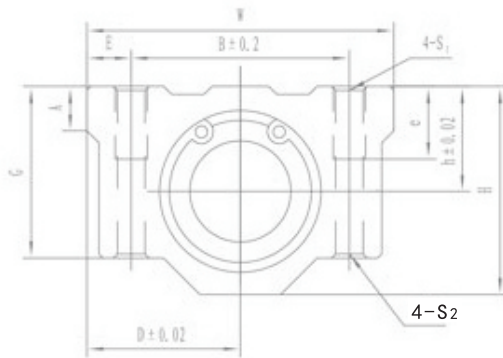
SCS-UU/SCS-AJ-UU



SC □ S-UU



SC □ S-AJ-UU



Model No.		Dimensions (mm)											Basic Load Rating		Weight (g)	
		h	D	L	W	H	G	A	E	B	C	Size	S ₂	Dynamic CN		Static CoN
SC6S-UU	SC6S-AJ-UU	g	15	25	30	18	15	6	5	20	15	M4xB	3.4	206	265	34
SC8S-UU	SC8S-AJ-UU	11	17	30	34	22	18	6	5	24	18	M4xB	3.4	274	392	52
SC10S-UU	SC10S-AJ-UU	13	20	35	40	26	21	8	6	28	21	M5x12	4.3	372	549	92
SC12S-UU	SC12S-AJ-UU	15	21	36	42	28	24	8	5.75	30.5	26	M5x12	4.3	510	784	102
SC13S-UU	SC13S-AJ-UU	15	22	39	44	30	24.5	8	5.5	33	26	M5x12	4.3	510	784	120
SC16S-UU	SC16S-AJ-UU	19	25	44	50	38.5	32.5	9	7	36	34	M5x12	4.3	774	1180	200
SC20S-UU	SC20S-AJ-UU	21	27	50	54	41	35	11	7	40	40	M6x12	5.2	882	1370	255
SC25S-UU	SC25S-AJ-UU	26	38	67	76	51.5	42	12	11	54	50	M8x18	7	980	1570	600
SC30S-UU	SC30S-AJ-UU	30	39	72	78	59.5	49	15	10	58	58	M8x18	7	1574	2740	735
SC35S-UU	SC35S-AJ-UU	34	45	80	90	68	54	18	10	70	60	M8x18	7	1670	3140	1100
SC40S-UU	SC40S-AJ-UU	40	51	90	102	78	62	20	11	80	60	M10x25	8.7	2160	4020	1590
SC50S-UU	SC50S-AJ-UU	52	61	110	122	102	80	25	11	100	80	M10x25	8.7	3820	7940	3340
SC60S-UU	SC60S-AJ-UU	58	66	122	132	114	94	30	12	108	90	M10x25	10.7	6500	13000	4270

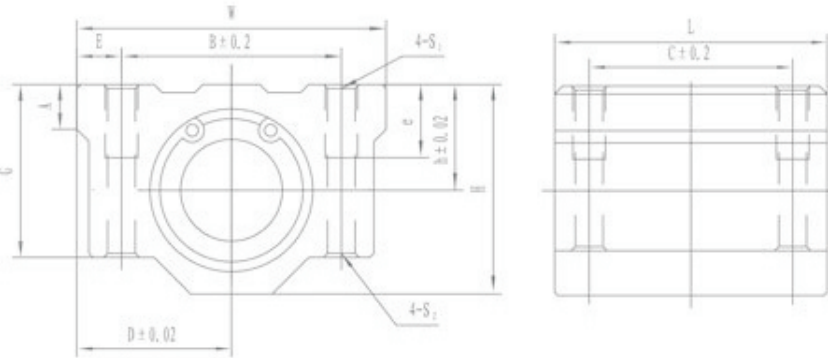
SCES-UU/SCES-AJ-UU



SCE □ S-UU



SCE □ S-AJ-UU



Model No.		Dimensions (mm)											Weight (g)	
Seal Type		h	D	L	W	H	G	A	E	B	C	S1xe		S2
SCE8S-UU	SCE8S-AJ-UU	11	17	30	34	22	18	6	5	24	18	M4x8	3.4	98
SCE10S-UU	SCE10S-AJ-UU	13	20	35	40	26	21	8	6	28	21	M5x12	4.3	102
SCE12S-UU	SCE12S-AJ-UU	15	22	39	44	30	24.5	8	5.5	33	26	M5x12	4.3	120
SCE16S-UU	SCE16S-AJ-UU	19	25	44	50	38.5	32.5	9	7	36	34	M5x12	4.3	200
SCE20S-UU	SCE20S-AJ-UU	21	27	53	54	41	35	11	7	40	40	M6x12	5.2	270
SCE25S-UU	SCE25S-AJ-UU	26	38	67	76	51.5	42	12	11	54	50	M8x18	7	600
SCE30S-UU	SCE30S-AJ-UU	30	39	76	78	59.5	49	15	10	58	58	M8x18	7	776
SCE40S-UU	SCE40S-AJ-UU	40	51	90	102	78	62	20	11	80	60	M10x25	8.7	1590
SCE50S-UU	SCE50S-AJ-UU	52	61	110	122	102	80	25	11	100	80	M10x25	8.7	3340
SCE60S-UU	SCE60S-AJ-UU	58	66	137	132	114	94	30	12	108	90	M12x25	10.7	4800

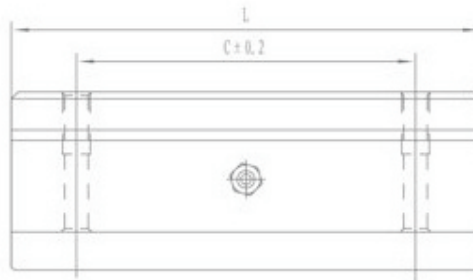
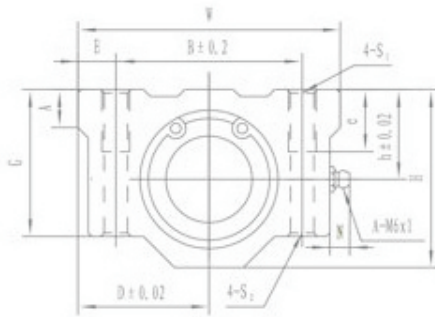
SCL-UU/SCL-AJ-UU



SC □ L-UU



SC □ L-AJ-UU



Model No.		Dimensions (mm)													Basic Load Rating		Weight (g)
		h	D	L	W	H	G	N	A	E	B	C	Size	S ₂	Dynamic CoN	Static CoN	
SC8L-UU	SC8L-AJ-UU	11	17	58	34	22	18	7	⁶ ₆	5	24	42	M4x8	3.4	431	784	102
SC10L-UU	SC10L-AJ-UU	13	20	68	40	26	21	7	8	6	28	46	M5x12	4.3	588	1100	180
SC12L-UU	SC12L-AJ-UU	15	21	70	42	28	24	6.5	8	5.75	30.5	50	M5X12	4.3	813	1570	250
SC13L-UU	SC13L-AJ-UU	15	22	75	44	30	24.5	6.5	8	5.5	33	50	M5X12	4.3	813	1570	240
SC16L-UU	SC16L-AJ-UU	19	25	85	50	38.5	32.5	6	9	7	36	60	M5X12	4.3	1230	2350	400
SC20L-UU	SC20L-AJ-UU	21	27	96	54	41	35	7	11	7	40	70	M6x12	5.2	1410	2740	570
SC25L-UU	SC25L-AJ-UU	26	38	130	76	51.5	42	4	12	11	54	100	M8x18	7	1610	3140	1200
SC30L-UU	SC30L-AJ-UU	30	39	140	78	59.5	49	5	15	10	58	110	M8x18	7	2450	5490	1480
SC35L-UU	SC35L-AJ-UU	34	45	155	90	68	54	5.5	18	10	70	120	M8x18	7	2650	6270	2200
SC40L-UU	SC40L-AJ-UU	40	51	175	102	78	62	5	20	11	80	140	M10x25	8.7	3430	8040	3200
SC50L-UU	SC50L-AJ-UU	52	61	215	122	102	80	5	25	11	100	160	M12x25	8.7	6080	15900	6700
SC60L-UU	SC60L-AJ-UU	58	66	240	132	114	94	5	30	12	108	180	M12x25	10.7	7000	18000	9290

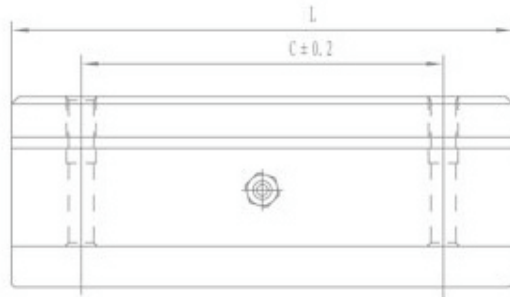
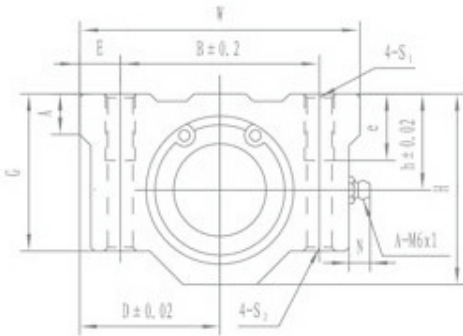
SCEL-UU/SCEL-AJ-UU



SCE □ L-UU



SCE □ L-AJ-UU



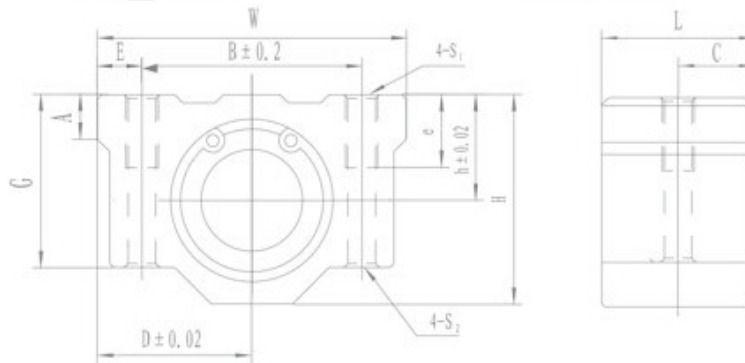
Model No.		Dimensions (mm)											Weight (g)	
Seal Type		h	D	L	W	H	G	A	E	B	C	S1xe		S2
SCE8L-UU	SCE8L-AJ-UU	11	17	58	34	22	18	6	5	24	12	M4x8	3.4	160
SCE10L-UU	SCE10L-AJ-UU	13	20	68	40	26	21	8	6	28	46	M5x12	4.3	180
SCE12L-UU	SCE12L-AJ-UU	15	22	77	44	30	24.5	8	5.5	33	64	M5x12	4.3	237
SCE16L-UU	SCE16L-AJ-UU	19	25	89	50	38.5	32.5	9	7	36	79	M5x12	4.3	405
SCE20L-UU	SCE20L-AJ-UU	21	27	100	54	41	35	11	7	40	90	M6x12	5.2	510
SCE25L-UU	SCE25L-AJ-UU	26	38	154	76	51.5	42	12	11	54	119	M8x18	7	1220
SCE30L-UU	SCE30L-AJ-UU	30	39	164	78	59.5	49	15	10	58	132	M8x18	7	1580
SCE40L-UU	SCE40L-AJ-UU	40	51	180	102	78	62	20	11	80	150	M10x25	8.7	3180
SCE50L-UU	SCE50L-AJ-UU	52	64	230	122	102	80	25	11	100	200	M12x25	8.7	6990

SCV-UU/SCEV-UU



SC □ V-UU

SCE □ V-UU



Model No.	Dimensions (mm)												Basic Load Rating		Weight (g)
	h	D	L	W	H	G	A	E	B	C	S ₁ Xe	S ₂	Dynamic CN	Static CoN	
SC8V-UU	11	17	15.4	34	22	18	6	5	24	7.7	M4x8	3.4	274	392	27
SC10V-UU	13	20	19.9	40	26	21	8	6	28	9.95	M5x12	4.3	372	549	53
SC12V-UU	15	21	20.9	42	28	24	8	5.75	30.5	10.45	M5x12	4.3	510	784	60
SC13V-UU	15	22	20.9	44	30	24.5	8	5.5	33	10.45	M5x12	4.3	540	784	64
SC16V-UU	19	25	24	50	38.5	32.5	9	7	36	12	M5x12	4.3	774	1180	110
SC20V-UU	21	27	28	54	41	35	11	7	40	14	M6x12	5.2	882	1370	144
SC25V-UU	26	38	37.8	76	51.5	42	12	11	54	18.9	M8x18	7	980	1570	340
SC30V-UU	30	39	41.3	78	59.5	49	15	10	58	20.65	M8x18	7	1574	2740	424
SC35V-UU	34	45	45.3	90	68	54	18	10	70	22.65	M8x18	7	1670	3140	626
SC40V-UU	40	51	56.3	102	78	62	20	11	80	28.15	M10x25	8.7	2160	4020	1000
SC50V-UU	52	61	68.8	122	102	80	25	11	100	34.4	M10x25	8.7	3820	7940	2100
SC60V-UU	58	66	79.4	132	114	94	30	12	108	39.7	M12x25	10.7	5700	12000	3800

Model No.	Dimensions (mm)												Basic Load Rating		Weight (g)
	h	D	L	W	H	G	A	E	B	C	S ₁ Xe	S ₂	Dynamic CN	Static CoN	
SCE8V-UU	11	17	14.4	34	22	18	6	5	24	7.2	M4x8	3.4	274	392	25
SCE12V-UU	15	22	20.8	44	30	24.5	8	5.5	33	10.4	M5x12	4.3	510	784	65
SCE16V-UU	19	25	22.4	50	38.5	32.5	9	7	36	11.2	M6x12	4.3	774	1180	100
SCE20V-UU	21	27	29	54	41	35	11	7	40	14.5	M6x12	5.2	882	1370	148
SCE25V-UU	26	38	40.9	76	51.5	42	12	11	54	20.45	M8x18	7	980	1570	368
SCE30V-UU	30	39	48.9	78	59.5	49	15	10	58	24.45	M8x18	1	1574	2740	500
SCE40V-UU	40	51	56.4	102	78	62	20	11	80	28.2	M10x25	8.7	2160	4020	1000
SCE50V-UU	52	61	72.4	122	102	80	25	11	100	36.2	M10x25	8.7	3820	7940	2205