



Quality Assurance Keep Improving



TECHNOMET ENTERPRISES



Mail:

mahesh.bhattad@technometent.co.in
tme_pne@technometent.co.in
salestechnomet123@gmail.com



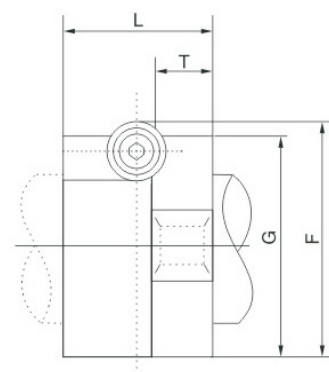
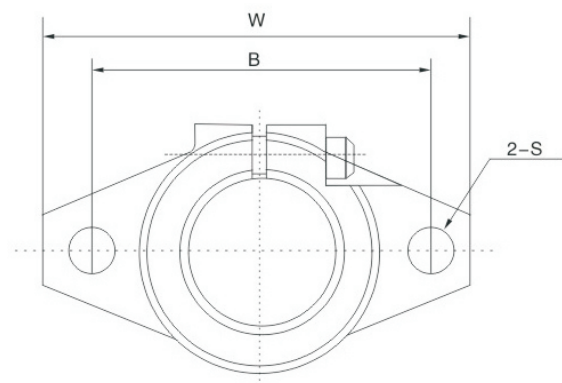
Contact No.:

+91-98500 87426
+91-98500 83743
+91-72760 91255

Address: 103, Varad Vinayak Complex, Sr.no. 26/1, Narhe, PUNE, 411041

www.technometent.co.in

Linear Motion Slider Shaft End Support Series SHF...A



Model No.	Shaft Dia. (mm)	Dimensions (mm)							Locking Bolt	Clamping Bolt	Weight (g)
		W	L	T	F	G	B	S			
SHF3A	3	43	10	5	24	20	32	5.5	M4	M5	13
SHF4A	4	43	10	5	24	20	32	5.5	M4	M5	13
SHF5A	5	43	10	5	24	20	32	5.5	M4	M5	13
SHF6A	6	43	10	5	24	20	32	5.5	M4	M5	13
SHF8A	8	43	10	5	24	20	32	5.5	M4	M5	13
SHF10A	10	43	10	5	24	20	32	5.5	M4	M5	13
SHF12A	12	47	13	7	28	25	36	5.5	M4	M5	20
SHF13A	13	47	13	7	28	25	36	5.5	M4	M5	20
SHF16A	16	50	16	6	31	28	40	5.5	M4	M5	27
SHF20A	20	60	20	8	37	34	48	7	M5	M6	40
SHF25A	25	70	25	10	42	40	56	7	M5	M6	60
SHF30A	30	80	30	12	50	46	64	9	M6	M8	110
SHF35A	35	92	35	14	58	50	72	12	M8	M10	380
SHF40A	40	102	40	16	67	56	80	12	M10	M8	510
SHF50A	50	122	50	19	83	70	96	14	M12	M12	890
SHF60A	60	140	60	23	95	82	112	14	M12	M12	1500