



Quality Assurance Keep Improving



TECHNOMET ENTERPRISES



Mail:

mahesh.bhattad@technometent.co.in
tme_pne@technometent.co.in
salestechnomet123@gmail.com



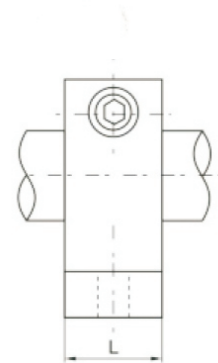
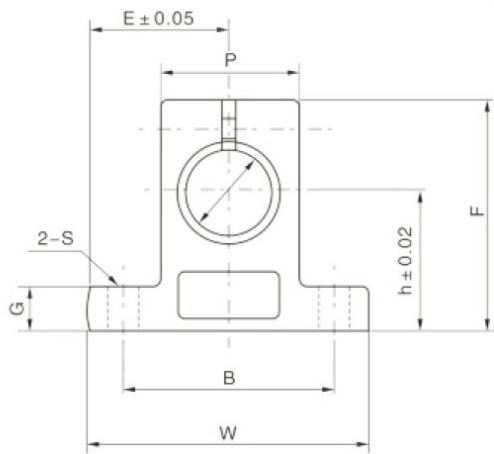
Contact No.:

+91-98500 87426
+91-98500 83743
+91-72760 91255

Address: 103, Varad Vinayak Complex, Sr.no. 26/1, Narhe, PUNE, 411041

www.technometent.co.in

Linear Motion Slider Shaft End Support Series SK



Model No.	Shaft Dia. (mm)	Dimensions (mm)									Locking Bolt	Clamping Bolt	Weight (g)
		h	E	W	L	F	G	P	B	S			
SK8	8	20	21	42	14	32.8	6	18	32	5.5	M4	M5	24
SK10	10	20	21	42	14	32.8	6	18	32	5.5	M4	M5	24
SK12	12	23	21	42	14	37.5	6	20	32	5.5	M4	M5	30
SK13	13	23	21	42	14	37.5	6	20	32	5.5	M4	M5	30
SK16	16	27	24	48	16	44	8	25	38	5.5	M4	M5	40
SK20	20	31	30	60	20	51	10	30	45	6.6	M5	M6	70
SK25	25	35	35	70	24	60	12	38	56	6.6	M6	M6	130
SK30	30	42	42	84	28	70	12	44	64	9	M6	M8	180
SK35	35	50	49	98	32	82	15	50	74	11	M8	M10	270
SK40	40	60	57	114	36	96	15	60	90	11	M8	M10	420
SK50	50	70	63	126	40	120	18	74	100	14	M12	M12	750
SK60	60	80	74	148	45	136	18	90	120	14	M12	M12	1100